



## Cooking accessories Trolley with lifting and removable tank

ITEM # \_\_\_\_\_

MODEL # \_\_\_\_\_

NAME # \_\_\_\_\_

SIS # \_\_\_\_\_

AIA # \_\_\_\_\_



922403 (TRBR)

Trolley with lifting & removable tank

### Short Form Specification

Item No. \_\_\_\_\_

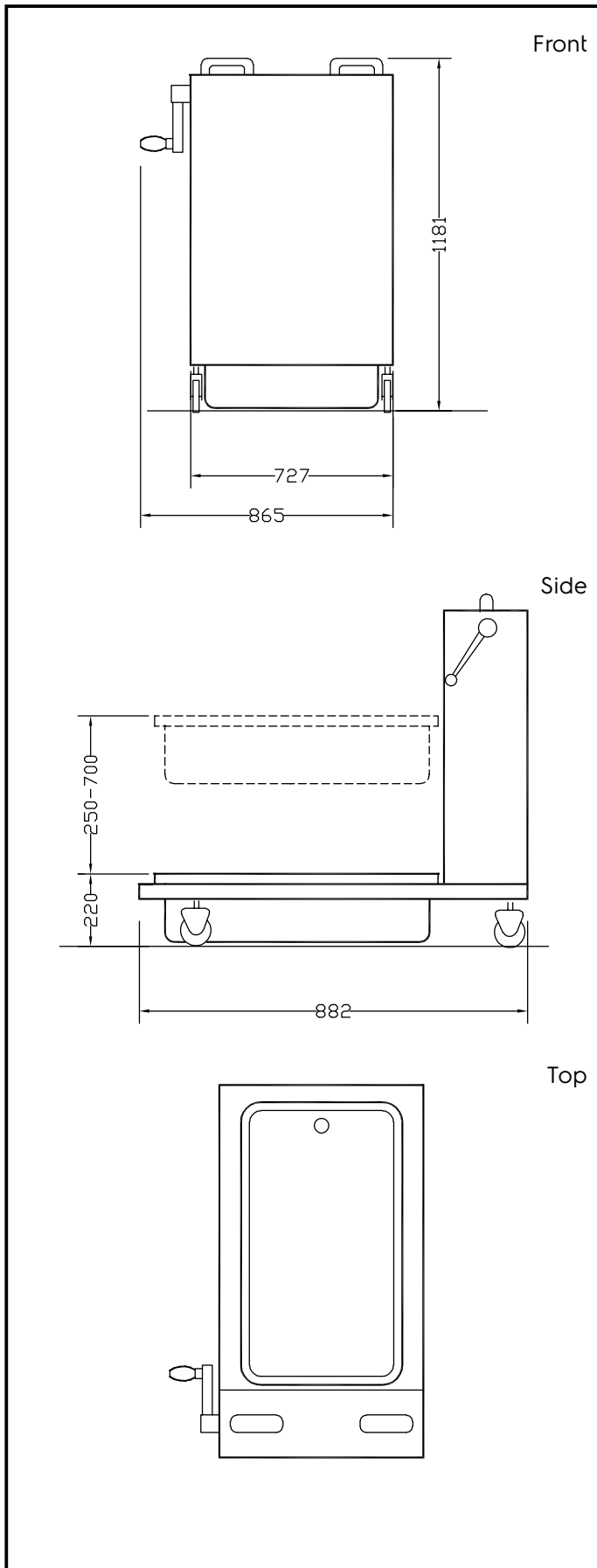
Constructed entirely in 304 AISI stainless steel. The removable 2/1GN tank can be raised or lowered, by means of a manual mechanism and can be adjusted in height to suit the tilting of the bratt pan. 4 swivelling castors, all with brakes.

### Main Features

- Entirely constructed in 304 AISI stainless steel.
- The removable 2/1GN tank can be raised or lowered, by means of a manual mechanism and can be adjusted in height to suit the tilting of the bratt pan.
- Delivered with 4 swivelling castors, all with brakes.

APPROVAL: \_\_\_\_\_





**Key Information:**

External dimensions, Width:	
922403 (TRBR)	727 mm
External dimensions, Depth:	882 mm
External dimensions, Height:	1181 mm
Net weight:	50 kg